

16 Series

16W (hydronic)
16E (electric)

Applied COMFORT PTACS

16E FITS 37 1/2" WIDE X 16" SLEEVE

16W FITS 41 1/2" WIDE X 16" SLEEVE

SLIDE IN REPLACEMENT FOR:

16 - American Air Filter®, Nelson Air®, Singer®, Remington®, Islandaire®, Applied Comfort®

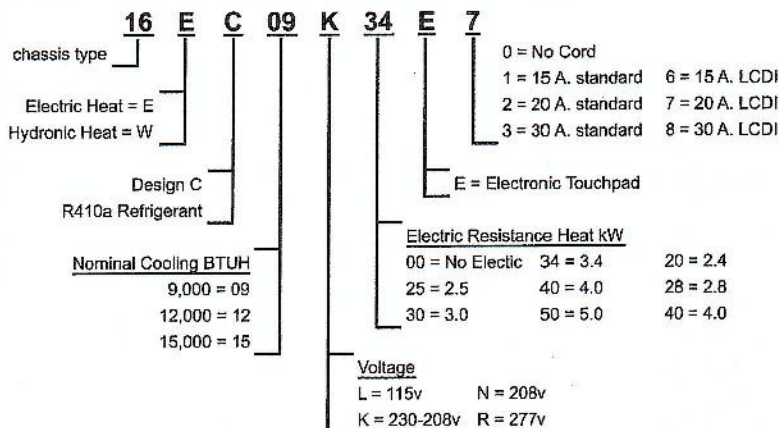
AAF 16, Enersaver

PNES, ENR - McQuay®, AAF

WY - McQuay®, AAF, Islandaire®

R10 - RetroAire®

Premium,.... meet Affordable!



Re-engineered for 2012

quieter! more dehumidification!

16WC Air Conditioner with Hydronic Heat

PERMANENTLY CONNECTED. SUB-BASE Connected. Non-LCDI cord plugs into hard-wired protected receptacle.

Model	Voltage	Hz	Min. Circuit Amps	MOP* Fuse Amps	Electrical Plug (NEMA)	Cooling					Resistance Heat			Indoor CFM HIGH*	Indoor CFM LOW*	Vent CFM	Net Wt. lbs.	Ship Wt. lbs.
						BTU/Hr.	EER	Amps	S/T	Pts./hr.	BTU/Hr.	KW	Amps					
16WC08L0E2	115	60	13	15	#5-20P	9600	10	10	0.78	2.0	N/A	N/A	N/A	310	265	90	118	126
16WC12L0E2	"	"	16.2	20	#5-20P	11700	9.2	12.6	0.7	3.3	N/A	N/A	N/A	360	310	"	"	"
16WC08N0E2	208	"	6.2	15	#6-20P	9600	10	5.1	0.78	2.0	N/A	N/A	N/A	300	250	"	"	"
16WC12N0E2	"	"	8.1	"	"	11600	9.2	6.6	0.7	2.8	N/A	N/A	N/A	350	300	"	"	"
16WC18N0E2	"	"	9.8	"	"	14000	8.8	8.3	0.68	4.3	N/A	N/A	N/A	"	"	"	"	"
16WC08R0E2	230 - 208	"	6.2	15	#6-20P	9600	10	4.9/5.1	0.8	1.8	N/A	N/A	N/A	325/300	290/250	"	"	"
16WC12R0E2	"	"	8.1	"	"	11600	9.2	6.3/6.6	0.75	2.8	N/A	N/A	N/A	370/350	325/300	"	"	"
16WC18R0E2	"	"	9.8	"	"	14000	8.8	7.9/8.3	0.68	4.3	N/A	N/A	N/A	370/350	325/300	"	"	"
16WC08R0E2	277	"	5.7	15	#7-20P	9600	10	4	0.8	1.8	N/A	N/A	N/A	360	310	"	"	"
16WC12R0E2	"	"	6.8	"	"	11700	9.2	5.3	0.75	2.8	N/A	N/A	N/A	"	"	"	"	"
16WC18R0E2	"	"	8.4	"	"	14200	8.8	6.6	0.68	4.3	N/A	N/A	N/A	"	"	"	"	"

*Time Delay Fuse or HCAR Circuit Breaker --- *Dry Coil



Model	Voltage	Hz	Hot Water Heat HIGH SPEED	Hot Water Heat LOW SPEED	Water Flow Rate	Coil Pressure Drop (HIGH SPEED)	Steam Heat HIGH SPEED	Steam Heat LOW SPEED	Heating Current
			BTU/Hr.	BTU/Hr.		USGPM	Ft of Water	BTU/Hr.	
16WC08L0E2	115	60	17200	16100	1.8	1.8	21100	19600	<1
16WC12L0E2	"	"	18500	17400	1.9	1.9	22600	21100	"
16WC08N0E2	208	"	17000	15600	1.7	1.6	20800	19000	"
16WC12N0E2	"	"	18300	17200	1.9	1.8	22300	20800	"
16WC18N0E2	"	"	18300	17200	1.9	1.8	22300	20800	"
16WC08R0E2	230 - 208	"	17600/17000	16800/15600	1.8 - 1.7	1.8 - 1.6	21500/20800	20500/19000	"
16WC12R0E2	"	"	18900/18300	17700/17200	1.9 - 1.9	2.0 - 1.8	22900/22300	21600/20800	"
16WC18R0E2	"	"	18900/18300	17700/17200	1.9 - 1.9	2.0 - 1.8	22900/22300	21600/20800	"
16WC09R0E2	277	"	18500	17400	1.9	1.8	22600	21100	"
16WC12R0E2	"	"	"	"	"	"	"	"	"
16WC18R0E2	"	"	"	"	"	"	"	"	"

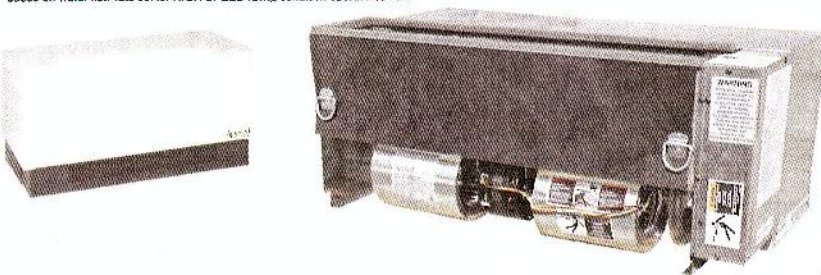
Maximum Steam Pressure: 2 psig --- Steam ratings based on conditions of 70°F entering air, and 2 psig steam pressure with heat output automatically adjusting for blower speed. Maximum Water Temperature: 210°F --- HIGH SPEED Water ratings based on ASHRAE/AHRI conditions of 70°F entering air, 200°F entering water and 180°F leaving water temperatures. LOW SPEED Water ratings based on water flow rate set for HIGH SPEED rating condition operating point.

Applied Comfort



Electronic Touchpad Controls

- on-chassis touchpad with large LED readout
- switchable to 24v remote thermostats - EMS ready
- two speed room fan control
- electronic temperature limiting
- fresh air supply door provided



Distributed By:

IHVAC CORPORATION

19-64 42nd Street

Astoria NY, 11105

(P)718-728-4417 (F)718-728-3147

Email:IHVAC@Verizon.Net Web:IHVACCORP.COM

16EC Air Conditioner with Electric Resistance Heat

PERMANENTLY CONNECTED. SUB-BASE Connected. Non-LCDI short cord plugs into hard-wired protected receptacle in Sub-base.

Model	Voltage	Hz	Min. Circuit Amps	MOP* Fuse Amps	Electrical Plug (NEMA)	Cooling					Resistance Heat			Indoor CFM HIGH*	Indoor CFM LOW*	Vent** CFM	Net Wt. lbs.	Ship Wt. lbs.	
						BTU/Hr.	EER	Amps	S/T	Pts./hr.	BTU/Hr.	kW	Amps						
16EC08100E2 16EC12100E2	115	60	13 16.2	15 20	#5-20P #5-20P	9600 11600	10 9.2	10 12.6	0.78 0.7	2.0 3.3	N/A N/A	N/A N/A	N/A N/A	325 "	275 "	90 "	118 "	126 "	
16EC09100E2 16EC09N10E2 16EC09N12E2 16EC09N14E2 16EC12N00E2 16EC12N20E2 16EC12N22E2 16EC12N41E2 16EC12N42E2 16EC12N44E2 16EC12N46E2 16EC12N48E2 16EC12N50E2	208	"	6.2 13 17.4 25.3 8.1 13 17.4 25.3 9.8 13 17.4 25.3	15 20 20 30 20 20 30 30 20 20 30 30	#6-20P " " " " " " " " " " " "	9600 " " " 11600 " " " 14000 " " " "	10 " " " 9.2 " " 8.8 " " " " "	10 " " " 6.6 " " " 8.3 " " " "	0.78 " " " 0.7 " " 0.68 " " " " "	2.0 " " " 2.8 " " " 4.3 " " " "	N/A 7300 9900 14300 N/A 7300 9900 14300 N/A 7300 9900 14300	N/A 2.0 2.8 4.1 N/A 2.0 2.8 4.1 N/A 2.0 2.8 4.1	N/A 10.4 13.9 20.2 N/A 10.4 13.9 20.2 N/A 10.4 13.9 20.2	315 " " " " " " " " " " " "	260 " " " " " " " " " " " "	" " " " " " " " " " " " "	" " " " " " " " " " " " "	" " " " " " " " " " " " "	" " " " " " " " " " " " "
16EC09K00E2 16EC09K25E2 16EC09K34E2 16EC09K40E2 16EC12K00E2 16EC12R25E2 16EC12K34E2 16EC12K40E2 16EC12K42E2 16EC12K44E2 16EC12K46E2 16EC12K48E2 16EC12K50E2	230 - 208	"	6.2 14.3 19.2 27.9 8 13.3 19.2 27.9 9.7 14.3 19.2 27.9	20 " " 30 20 20 30 30 20 30 30 30	#6-20P " " #6-30P #6-20P " " #6-30P #6-20P " " #6-30P	9600 " " " 11600 " " " 14000 " " " "	10 " " " 9.2 " " 8.8 " " " "	5.1 " " " 6.6 " " " 8.3 " " " "	0.78 " " " 0.7 " " 0.68 " " " "	2.0 " " " 2.8 " " " 4.3 " " " "	N/A 8900/7300 12000/9900 17400/14300 N/A 8900/7300 12000/9900 17400/14300 N/A 8900/7300 12000/9900 17400/14300	N/A 2.5/2.1 3.4/2.8 5/4.1 N/A 2.5/2.1 3.4/2.8 5/4.1 N/A 2.5/2.1 3.4/2.8 5/4.1	N/A 11.4/10.4 15.3/13.9 22.3/20.2 N/A 11.4/10.4 15.3/13.9 22.3/20.2 N/A 11.4/10.4 15.3/13.9 22.3/20.2	345/315 " " " " " " " " " " " "	300/260 " " " " " " " " " " " "	" " " " " " " " " " " " "	" " " " " " " " " " " " "	" " " " " " " " " " " " "	
16EC09R00E2 16EC09R20E2 16EC09R30E2 16EC09R40E2 16EC14R00E2 16EC17R20E2 16EC12R30E2 16EC12R40E2 16EC14R40E2 16EC14R42E2 16EC14R44E2 16EC14R46E2 16EC14R50E2	277	"	5.7 9.9 14.4 19 6.8 9.9 14.4 19 8.4 9.9 14.4 19	15 " " 20 15 " " 20 15 20 20 20	#7-20P " " " " " " " " " " " "	9600 " " " 11600 " " " 14000 " " " "	10 " " " 9.2 " " 8.8 " " " "	4.3 " " " 5.7 " " " 6.9 " " " "	0.78 " " " 0.7 " " 0.68 " " " "	2.0 " " " 2.8 " " " 4.3 " " " "	N/A 7200 10600 14000 N/A 7200 10600 14000 N/A 7200 10600 14000	N/A 2.0 3.0 4.0 N/A 2.0 3.0 4.0 N/A 2.0 3.0 4.0	N/A 8.0 11.6 15.2 N/A 8.0 11.6 15.2 N/A 8.0 11.6 15.2	380 " " " " " " " " " " " "	335 " " " " " " " " " " " "	" " " " " " " " " " " " "	" " " " " " " " " " " " "	" " " " " " " " " " " " "	

*Time Delay Fuse or HCAR Circuit Breaker --- *Dry Coil --- *277v models are permanently connected using 20amp non-LCDI cords.

CORD-CONNECTED. LCDI full-length Cord for connection to remote receptacle.

Model	Voltage	Hz	Min. Circuit Amps	MOP* Fuse Amps	Electrical Plug (NEMA)	Cooling					Resistance Heat			Indoor CFM HIGH*	Indoor CFM LOW*	Vent** CFM	Net Wt. lbs.	Ship Wt. lbs.
						BTU/Hr.	EER	Amps	S/T	Pts./hr.	BTU/Hr.	kW	Amps					
16EC09100E6 16EC09100E7 16EC12100E7	115	60	13 " 16.2	15 20 20	#5-15P #5-20P #5-20P	9600 9600 11600	10 10 9.5	10 10 12.6	0.78 0.78 0.7	2.0 2.0 3.3	N/A N/A N/A	N/A N/A N/A	325 " "	275 " "	90 " "	118 " "	126 " "	
16EC09K00E6 16EC09K00E7 16EC09K25E6 16EC09K28E7 16EC09K34E7 16EC09K34E6 16EC09K50E6 16EC12K00E6 16EC12K00E7 16EC12K25E6 16EC12K28E7 16EC12K34E7 16EC12K34E6 16EC12K50E6 16EC14K00E6 16EC14K00E7 16EC14K25E6 16EC14K28E7 16EC14K34E7 16EC14K34E6 16EC14K50E6	230 - 208	"	6.2 " 14.3 19.2 27.9 8 13.3 19.2 27.9 9.7 14.3 19.2 27.9 9.7 14.3 19.2 27.9	15 20 15 20 30 15 15 20 30 20 20 30 30 15 20 20 20 20 30 30 30	#6-15P #6-20P #6-15P #6-20P #6-20P #6-30P #6-30P #6-15P #6-20P #6-15P #6-20P #6-20P #6-30P #6-15P #6-20P #6-15P #6-20P #6-20P #6-20P #6-30P #6-30P	9600 " " " " 11600 11600 " " " " " 14000 14000 " " " " " " " "	10 " " " " 9.2 9.2 " " " 8.8 8.8 " " " " " " " " "	5.1 " " " " 6.6 6.6 " " " " " 8.3 8.3 " " " " " " " "	0.78 " " " " 0.7 0.7 " " " 0.68 0.68 " " " " " " " " "	2.0 " " " " 2.8 2.8 " " " 4.3 4.3 " " " " " " " " "	N/A " " " " N/A N/A " " " 8900/7300 8900/7300 12000/9900 12000/9900 17400/14300 N/A N/A N/A 8900/7300 8900/7300 12000/9900 12000/9900 17400/14300	N/A " " " " 2.5/2.1 2.5/2.1 3.4/2.8 3.4/2.8 5/4.1 N/A N/A N/A 2.5/2.1 2.5/2.1 3.4/2.8 3.4/2.8 5/4.1	N/A " " " " 11.4/10.4 11.4/10.4 15.3/13.9 15.3/13.9 22.3/20.2 N/A N/A N/A 11.4/10.4 11.4/10.4 15.3/13.9 15.3/13.9 22.3/20.2	345/315 "	300/260 "	" "	" "	

*Time Delay Fuse or HCAR Circuit Breaker --- *Dry Coil

Specifications Subject to Change Without Notice
All brands and product names are trademarks or registered trademarks of their respective owners.

